

Customer N°:	Customer reference:	Order form date:
--------------	---------------------	------------------

<p>Company contact details:</p> <p>Surname:</p> <p>Postcode: City:</p> <p>Country: Phone:</p> <p>E-mail:</p> <p>Contact in case of missing measurements:</p> <p>.....</p> <p>.....</p>	<p>Delivery address:</p> <p>Name:</p> <p>Address:</p> <p>Postcode:City:</p> <p>Country:</p> <p>Access: <input type="checkbox"/> Semi-trailer <input type="checkbox"/> Carrier Other:</p> <p>Fill in the truck access checking guide on p. 103.</p> <p><input type="checkbox"/> Pick up at DEL Brécé factory (35530 Brécé, FRANCE)</p>
---	--

New build pool Existing pool: In order to avoid taking again measurements of the pool, please indicate the invoice number, order number or reference of the original cover made:

RECOMMENDATIONS

SECURIWALL can fit all types of pools: new build or existing pool, concrete, polyester shell or panels (with concrete reinforcement to fix the plates) till 7.07 m width and 2.07 m depth from the beam.

It is suitable for aluminium beams 120 x 100 mm or 100 x 100 mm with surface mount beam supports. Do not forget to order these with your beam.

COLOUR

White Beige Grey

OPTION

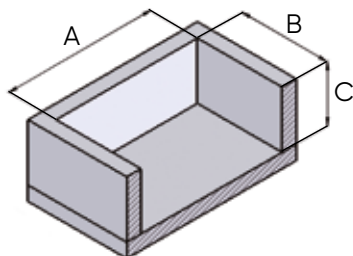
Hanging supports (hanging mount) Yes No

BOTTOM OF THE POOL

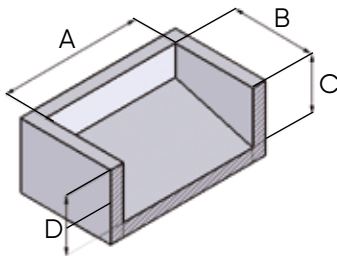
Tick the corresponding drawing for your pool and fill in the requested dimensions.

BE CAREFUL: the dimensions must be taken flush the beam axle.

Flat bottom



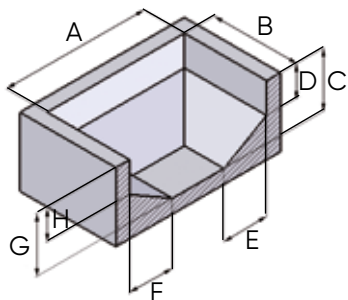
Constant slope



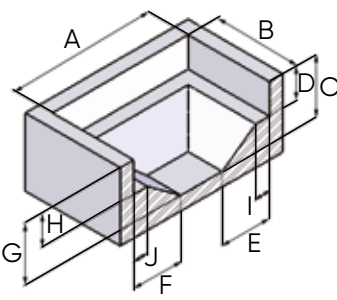
Dimensions

A		cm
B		cm
C		cm
D		cm
E		cm
F		cm
G		cm
H		cm
I		cm
J		cm

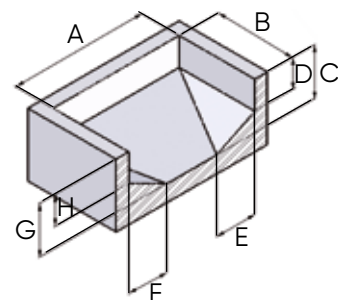
Hopper



Hopper 2



Hopper 3



Horizontal radius must be less than or equal to 15 cm, and cut corners less than or equal to 10 cm.

Cut corners ≤ 10 cm Yes

For other configurations, please attach a drawing for a specific study by our technicians.

TRUCK ACCESS CHECKING GUIDE

Company name:	Customer reference:
---------------	---------------------

i INFO

To allow us to deliver to you with maximum efficiency, please fill in this questionnaire carefully. We decline all liability in the event of the required delivery location being inaccessible due to the indications you have provided. Any new deliveries will be invoiced to you. Thank you for your understanding.



ORDERED EQUIPMENT

Automatic slatted cover
 Bar cover
 Bubble cover (over 4.50 m)
 Pool kits solutions/above-ground pools

ROAD SIGNAGE LEADING TO THE REQUESTED DELIVERY POINT



Have you already seen this type of road sign on the road that leads to the requested delivery point?

Yes If so, please indicate which ones:
 No

ACCESS TO THE REQUESTED DELIVERY POINT: TYPES OF VEHICLE LIKELY TO HAVE ACCESS

Below are different vehicle types. Indicate which types are likely to be able to pass in front of the requested delivery location.

 Tractor + trailer (38 tonnes): <input type="checkbox"/> Yes <input type="checkbox"/> No	 Semi-trailer (38 tonnes): <input type="checkbox"/> Yes <input type="checkbox"/> No	 Small carrier (19 tonnes): <input type="checkbox"/> Yes <input type="checkbox"/> No	 Small truck (<6 tonnes): <input type="checkbox"/> Yes <input type="checkbox"/> No
 Garbage trucks: <input type="checkbox"/> Yes <input type="checkbox"/> No	 Concrete mixer trucks: <input type="checkbox"/> Yes <input type="checkbox"/> No	 Fuel delivery trucks: <input type="checkbox"/> Yes <input type="checkbox"/> No	 Small van: <input type="checkbox"/> Yes <input type="checkbox"/> No

TRUCK CLEARANCES: DETAILS

Be careful of the truck clearance: Is the delivery address subject to one of the below situations ?

 Electric cables: <input type="checkbox"/> Yes <input type="checkbox"/> No	 Low branches: <input type="checkbox"/> Yes <input type="checkbox"/> No	 Corners of roads: <input type="checkbox"/> Yes <input type="checkbox"/> No
---	--	--

OTHER INDICATIONS, PLEASE DESCRIBE